

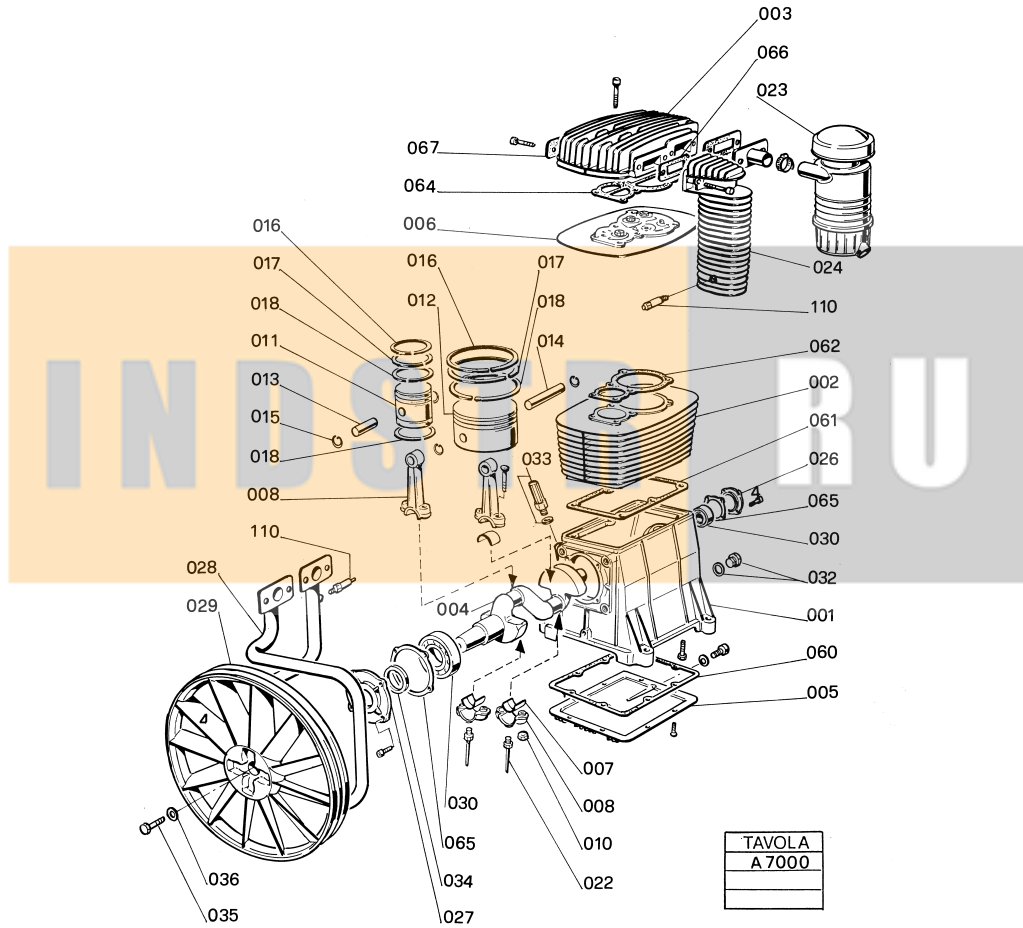
Code:

700000

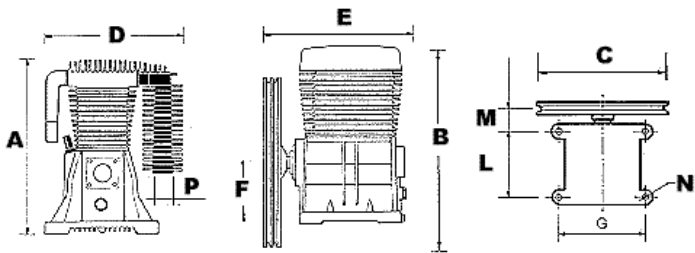
B 7000

GRUPPI COMPRESSORI

B7000



Dimensions:



In mm

A	B	C	D	E	F	G	L	M	N	P
496	564	430	479	428	175	290	240	97	13	1 1/4" F

Box Weight: 45 Kg Box Dimensions: W x D x L: 431 x 531 x 577

Tightening Torques, Cylinder Head:

Bolt Size:	M12
Min Torque:	77.1 Nm
Max Torque:	94.23 Nm

Technical Data:

Cylinders:	2	
Stages:	2	
Air Flow:	1210 L/m in	42,7 cfm
Power:	7,4 Kw	10 HP
Speed:	1300 rpm	
Max Pressure:	12 Bar	174 psi

Code:
B 7000

7000000



<i>Svc</i>	<i>Ref</i>	<i>Code</i>	<i>Description</i>	<i>Qty</i>	<i>Modified</i>
<input checked="" type="checkbox"/>	000	7050055	Gasket Kit	1	
<input type="checkbox"/>	001	7061100	Crankase	1	
<input type="checkbox"/>	002	7030000	Cylinder	1	30.04.2000
<input type="checkbox"/>	002	7E30000	Cylinder	1	
<input type="checkbox"/>	002	7E37090	Cylinder	1	
<input type="checkbox"/>	003	7061400	Pump head	1	
<input type="checkbox"/>	004	7061200	Crankshaft	1	
<input type="checkbox"/>	005	7061300	Sump base	1	
<input checked="" type="checkbox"/>	006	7040050	Valve plate assy.	1	
<input type="checkbox"/>	007	9013015	Halfbearing	4	
<input type="checkbox"/>	008	7011101	Connecting rod	2	
<input type="checkbox"/>	010	9128244	Self locking nut	4	
<input type="checkbox"/>	011	7021100	Piston D. Pin D.	1	
<input type="checkbox"/>	012	7022100	Piston D. Pin D.	1	
<input type="checkbox"/>	013	7021200	Pin	1	
<input type="checkbox"/>	014	7022200	Pin	1	
<input type="checkbox"/>	015	9140140	Circlip	4	
<input type="checkbox"/>	016	9020010	Piston ring AC	1	
<input type="checkbox"/>	016	9020018	Piston ring AC	1	
<input type="checkbox"/>	017	9020040	Piston ring ROS	1	
<input type="checkbox"/>	017	9020048	Piston ring ROS	1	
<input type="checkbox"/>	018	9020080	Piston ring ROF	1	
<input type="checkbox"/>	018	9020072	Piston ring ROF	2	
<input checked="" type="checkbox"/>	023	7081006	Filter	1	
<input type="checkbox"/>	023	7081004	Filter	1	03.09.2000
<input type="checkbox"/>	023	7081000	Filter	1	31.10.1998
<input type="checkbox"/>	024	5070100	Aftercooler	1	
<input type="checkbox"/>	026	7061690	Cover N.D.E.	1	
<input type="checkbox"/>	027	7061590	Cover D.E.	1	
<input type="checkbox"/>	028	7062010	Intercooler	1	
<input type="checkbox"/>	029	5000100	Flyw heel	1	
<input type="checkbox"/>	030	9170070	Bearing	1	
<input type="checkbox"/>	030	9170080	Bearing	1	
<input type="checkbox"/>	032	9022003	Oil sight glass	1	
<input type="checkbox"/>	033	9024004	Oil fill plug	1	
<input type="checkbox"/>	034	9163050	Oil seal	1	
<input type="checkbox"/>	035	9110022	Screw	1	19.04.1997
<input type="checkbox"/>	035	9110024	Screw	1	
<input type="checkbox"/>	036	9004009	Fly w heel w asher	1	
<input type="checkbox"/>	110	9049020	Safety valve	1	
<input type="checkbox"/>	110	9049011	Safety valve	1	31.08.2000
<input type="checkbox"/>	110	9049032	Safety valve	1	

Svc = Service Item