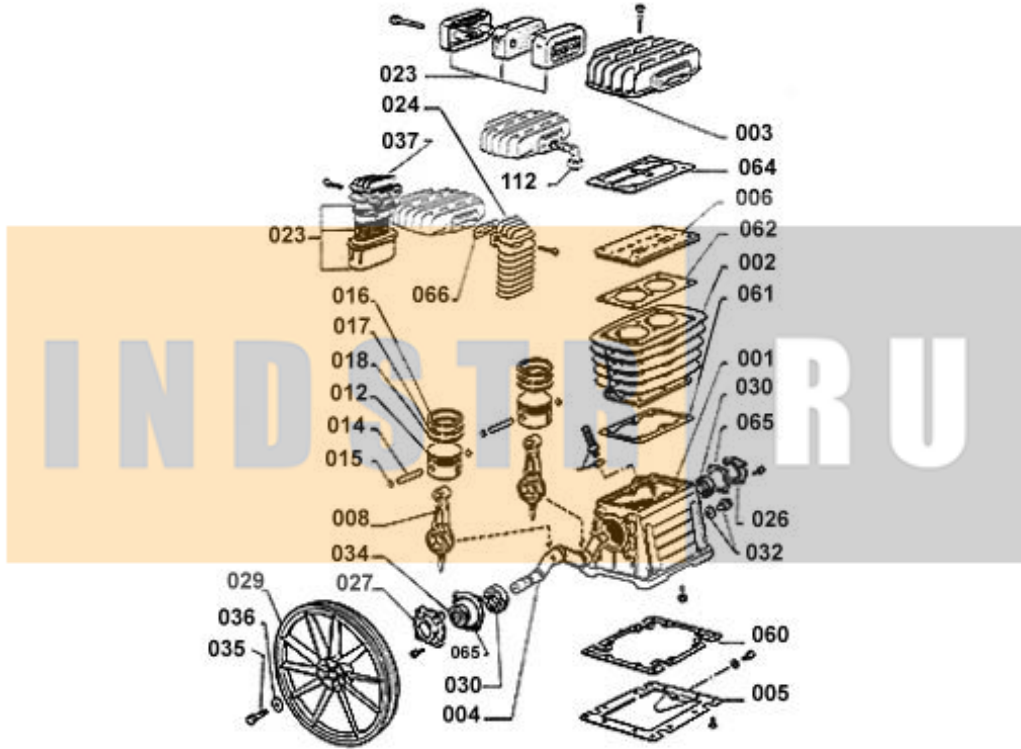
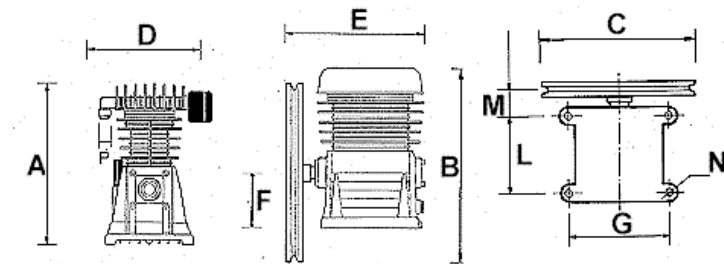


Code: 3600000

B 3800



Dimensions:



In mm

A	B	C	D	E	F	G	L	M	N	P
341	383	330	186	284	165	156	140	91	9	1/2" F

Box Weight: 11.5 Kg Box Dimensions: W x D x L: 301 x 341 x 402

Tightening Torques, Cylinder Head:

Bolt Size:	M8	
Min Torque:	22.45	Nm
Max Torque:	27.43	Nm

Technical Data:

Cylinders:	2		
Stages:	1		
Air Flow:	394	L/m in	13,9 cfm
Power:	2,2	Kw	3 HP
Speed:	1200	rpm	
Max Pressure:	9	Bar	131 psi

Code:
B 3800

3600000



<i>Svc</i>	<i>Ref</i>	<i>Code</i>	<i>Description</i>	<i>Qty</i>	<i>Modified</i>
<input checked="" type="checkbox"/>	000	3650055	Gasket Kit	1	
<input type="checkbox"/>	001	3660100	Crankase	1	
<input type="checkbox"/>	002	3637091	Cylinder	1	
<input type="checkbox"/>	002	3630000	Cylinder	1	
<input type="checkbox"/>	003	3860401	Pump head	1	
<input type="checkbox"/>	003	2860401	Pump head	1	29.10.2000
<input type="checkbox"/>	004	3660200	Crankshaft	1	
<input type="checkbox"/>	005	3660160	Sump base	1	
<input checked="" type="checkbox"/>	006	2840050	Valve plate assy.	1	
<input type="checkbox"/>	008	3610100	Connecting rod	2	
<input type="checkbox"/>	012	3621100	Piston D. Pin D.	2	
<input type="checkbox"/>	012	1421100	Piston D. Pin D.	2	31.08.2001
<input type="checkbox"/>	014	3021200	Pin	2	
<input type="checkbox"/>	015	9140040	Circlip	4	
<input type="checkbox"/>	016	9020011	Piston ring AC	2	
<input type="checkbox"/>	017	9020041	Piston ring ROS	2	
<input type="checkbox"/>	018	9020071	Piston ring ROF	2	
<input checked="" type="checkbox"/>	023	2881000	Filter	1	
<input type="checkbox"/>	023	2281000	Filter	1	29.10.2000
<input type="checkbox"/>	026	2060690	Cover N.D.E.	1	
<input type="checkbox"/>	027	2060590	Cover D.E.	1	
<input type="checkbox"/>	029	3600100	Flyw heel	1	
<input type="checkbox"/>	029	2000101	Flyw heel	1	01.04.2001
<input type="checkbox"/>	030	9170030	Bearing	2	
<input type="checkbox"/>	032	9022001	Oil sight glass	1	
<input type="checkbox"/>	033	9024021	Oil fill plug	1	31.05.2001
<input type="checkbox"/>	033	9024029	Oil fill plug	1	
<input type="checkbox"/>	033	9024010	Oil fill plug	1	30.04.1999
<input type="checkbox"/>	033	9024003	Oil fill plug	1	03.03.1999
<input type="checkbox"/>	034	9163010	Oil seal	1	
<input type="checkbox"/>	035	9110014	Screw	1	
<input type="checkbox"/>	036	9004008	Fly w heel w asher	1	

Svc = Service Item