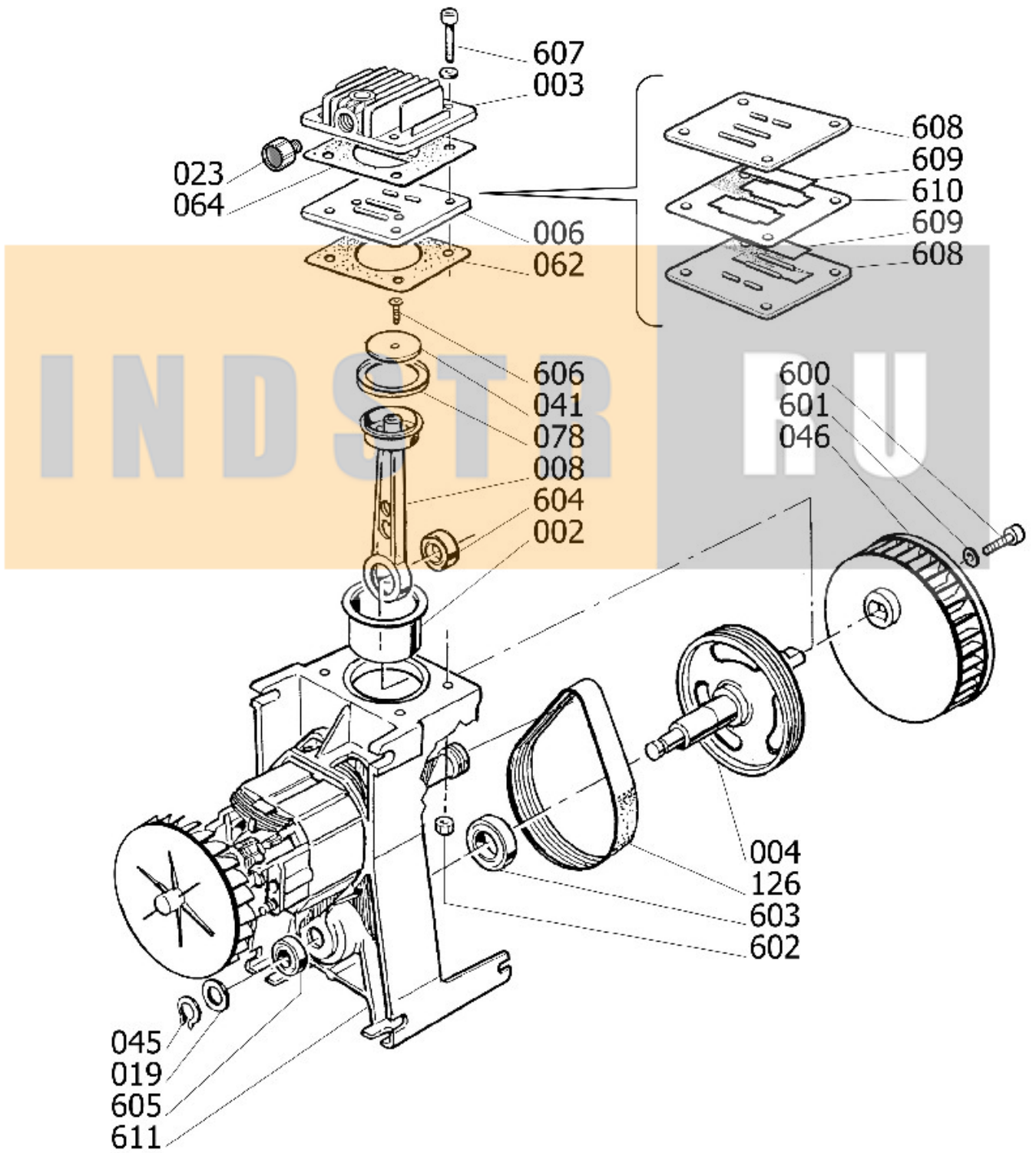


# FUBAG GR.OL195 HP 1.5 V230/50 2P



<b>Pos.</b>	<b>Cod. Componente</b>	<b>Descrizione</b>
1	A661104	CRANKCASE MACHINED OL195B
2	A631010	CYLINDER BARREL OL195S
2	A631040	CYLINDER BARREL OL195S 2H.15MM PZ
3	9415894	HEAD MACHINED OL195 SIL.(UP)
4	A661202	CRANKSHAFT SP200 NT POLY V J4
6	9415091	VALVE PLATE ASS.LY OL195S
8	A710100	CONROD/PISTON MACH.OL196
23	9415139	AIR FILTER OL195S 3/8"
30	9170091	BEARING 6203 2Z
30	9170112	BEARING 6001 2RS QUALITY P6 XL
30	9411136	BEARING 6001 2RS QUALITY P6
41	9416831	CONROD COVER OL195 SIL. T2
45	9411137	SEEGER 12 UNI 7435 OBS9140211
46	9038566	FAN SP200 (D.100) RADIAL ROHS
49	833020D	PLASTIC COVER SP200(OL200)
62	A500300	GASKET CYL-PLATE SP200 1,5MM
62	A650301	GASKET CYL-PLATE SP200 1.0MM
62	9415579	GASKET VALV.PL-VALV.PL OL SLOW
64	9415052	GASKET PLATE-HEAD OL195SIL
78	9040019	SEAL SP200
126	9075047	BELT POLI V 307PJ4
900	9429003	KIT VALVE PLATE OL 195B
901	9429014	KIT CONROD OL 195B
906	9429063	KIT HEAD OL 195B (UP)
913	9429130	KIT STATOR OL 195
917	9429170	KIT BELT OL 195