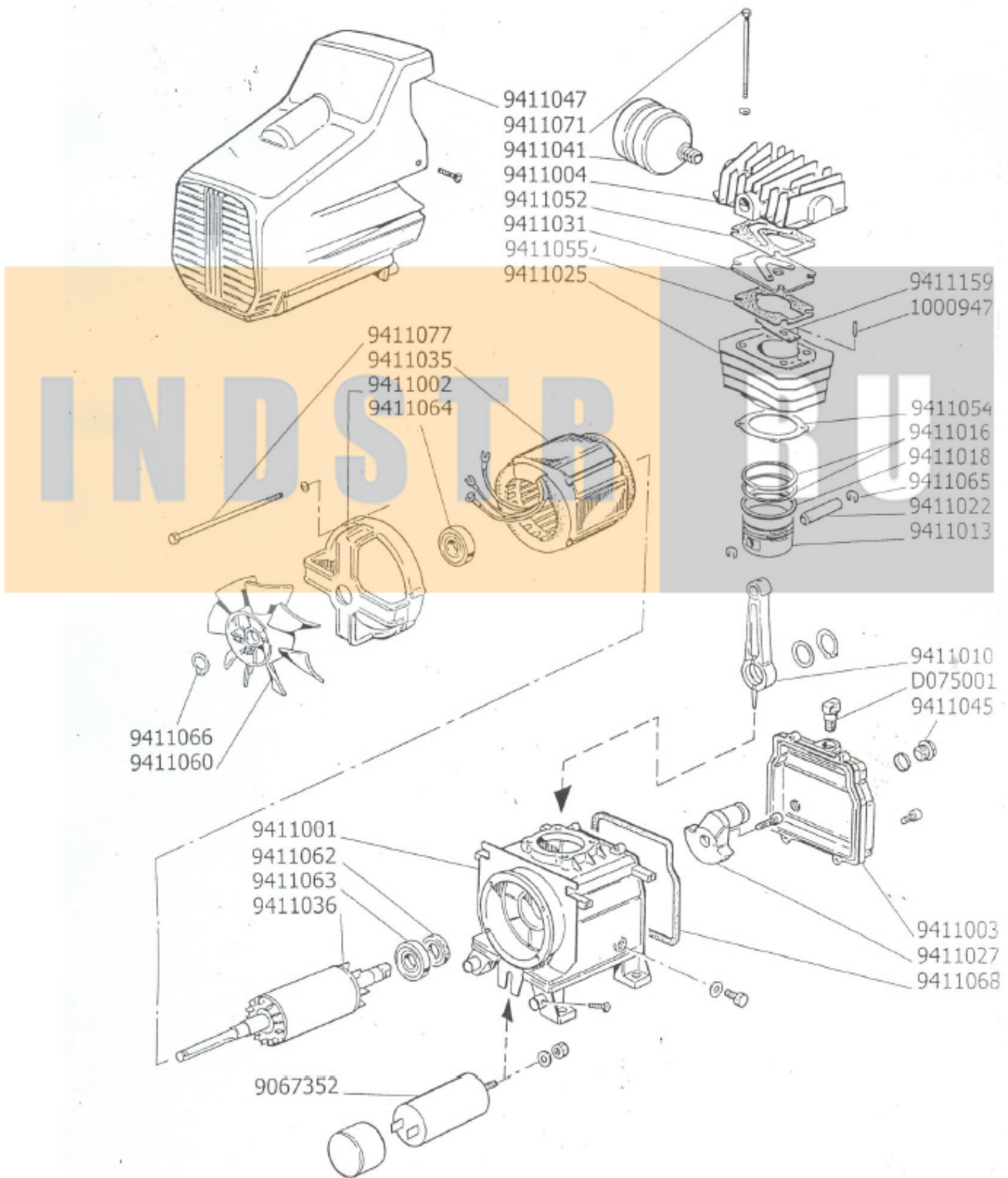


FUBAG DC 320/50 (MK-Pump 2.5)



Item	Code	Description	UM	Qty
1	9411001	CRANKCASE BALMA (7010001)	PZ	1,0
2	9411025	CYLINDER D51 BALMA H=70.4	PZ	1,0
3	9411004	HEAD BALMA (7010004)	PZ	1,0
4	9411027	CRANKSHAFT BLM D23 S20(7070001	PZ	1,0
5	9411003	CRANKCASE FRONT COVER(7010003)	PZ	1,0
6	9411031	VALVE PLATE BALMA D51(7080002)	PZ	1,0
8	9411010	CONROD BALMA 2,5 D51 (7020002)	PZ	1,0
12	9411013	PISTON D51 (7030002)	PZ	1,0
14	9411022	PISTON PIN D51 (7050002)	PZ	1,0
15	9411065	SEEGER INTERN D13 (7190001)	PZ	2,0
16	9020140	SEAL D51 YZ	PZ	2,0
18	9020141	OIL SEGMENT D51 YZ	PZ	1,0
23	9411041	AIR FILTER D90 20*1,5(7110002)	PZ	1,0
30	9411063	BEARING 6204 (7180001)	PZ	1,0
30	9411064	BEARING 6202 2RS (7180002)	PZ	1,0
32	9411045	OIL LEVEL 27*1,5 (7130001)	PZ	1,0
33	D075001	OIL PLUG FOR DC PUMP	PZ	1,0
34	9411062	OIL GASKET 20*40*7 (7170001)	PZ	1,0
43	9411002	BACK COVER MOTOR BALM(7010002)	PZ	1,0
45	9411066	SEEGER EXTERN D13,5 (7190002)	PZ	1,0
46	9038382	MOTOR FAN FENGLI NYLON 6.6	PZ	1,0
47	9067442	ROTOR 2,5HP 230/50 188 ALU	PZ	1,0
48	9067441	STATOR 2,5 230/50 188P ALU	PZ	1,0
49	9411047	PLASTIC COVER BALMA (7140001)	PZ	1,0
60	9411068	GASKET CARTER COV.BLM(7220001)	PZ	1,0
61	9411050	GASKET CYL-CART DC2/DC2,5(0,8)	PZ	1,0
62	9411055	GASKET CYL-VALV 51 BLM(7150006	PZ	1,0
64	9411052	GASKET HEAD VALVE BLM(7150003)	PZ	1,0
80	9067023	CAPACITOR 30MF CE 450V M8 D55	PZ	1,0
101	85DVG00003	TANK 50 3020 DC2 CAR 8B MOR	PZ	1,0
102	9412038	WHEEL D.150 D15 L37 (0060001)	PZ	2,0

103	9038066	RUBBER FOOT H=45 D=59 55HS	PZ	1,0
105	9048025	NON RET.VAL.1/2-BIC10V	PZ	1,0
106	9412204	QUICK COUPLING 1/4"M (0140007)	PZ	1,0
107	9053063	DRAIN.VALVE 3/8"	PZ	1,0
108	9051116	PRESS.RED I1/4 O1/4 G1/8 STD R	PZ	1,0
109	9052014	GAUGE 50 1/4 S 0-16 8BAR	PZ	1,0
109	9052092	GAUGE 40 1/8 S 0-12	PZ	1,0
110	9412464	SAF.VALVE 1/4" STAMPED(0160007	PZ	1,0
114	9412035	WHEEL PIN D15 M12 150(0070001)	PZ	2,0
116	9038001	PLUG HANDLE 17/20 RA20(0120001	PZ	2,0
118	9050547	EXTENS.M/M R3/8 R3/8 H60 EXAG.	PZ	1,0
127	9270006	RILSAN PIPE 4/6 BLACK(0280001)	MT	0,3
131	9063084	PRESS.SW.4W 3/8"OL200(0210002)	PZ	1,0
132	9065061	CORD 3X1X1300 SCHUKO (0100002)	PZ	1,0
145	9043237	SEND.PIPE DC2,5 NEW (SHORT)	PZ	1,0
300	9420078	KIT WHEELS D150 1RF 50L	PZ	1,0
509	9412518	SCREW PARKER 5X16 ZINC	PZ	2,0
515	9411073	SCREW TCEI M5X16 8.8 (7200004)	PZ	6,0